

# HYPHERPRO

## STEERING DAMPER MOUNTING KIT

for

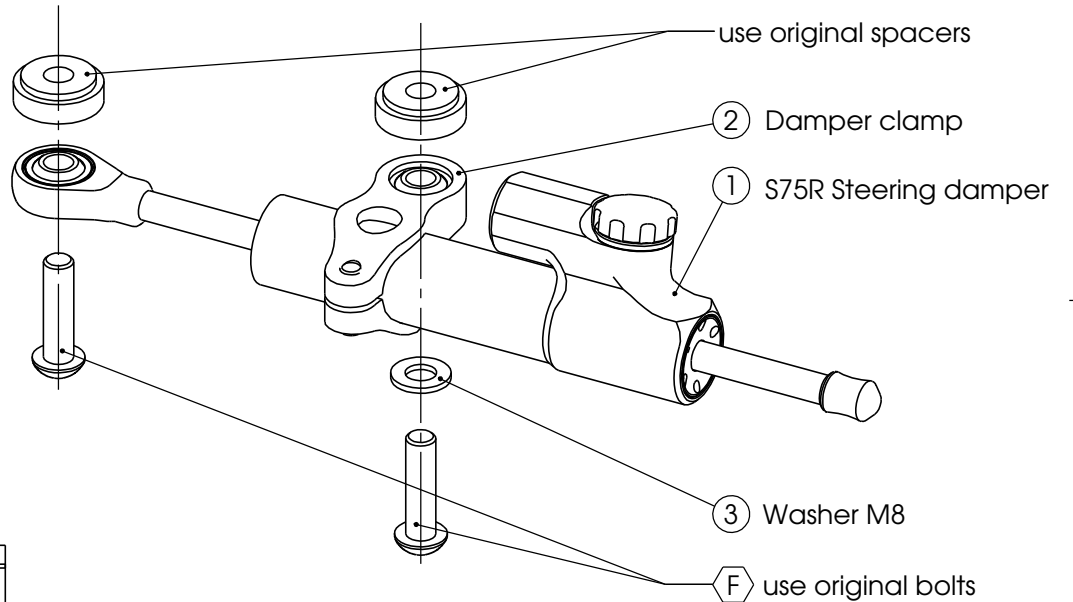
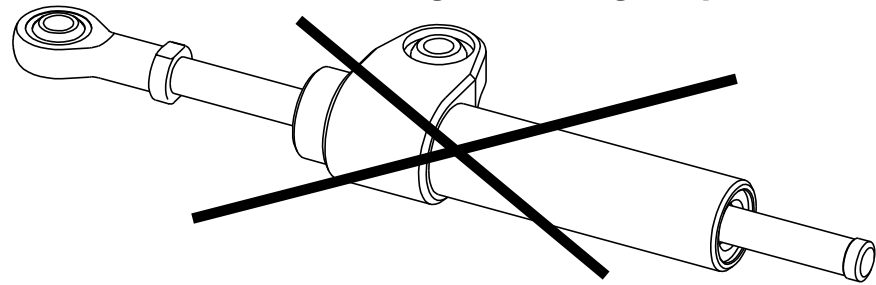
### BMW R1200 R 2015

#### MK-BM12-0006 PART LIST

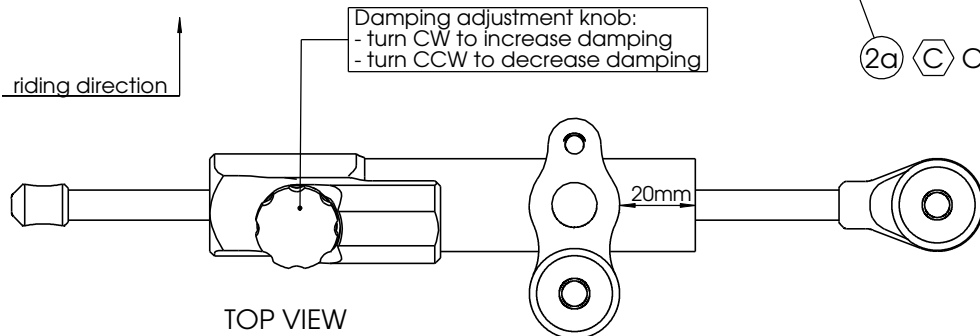
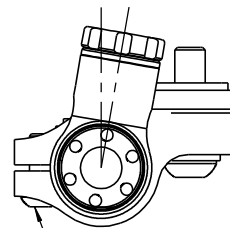
SD stroke 75 REVERSED	1	-	-
Damper Clamp (MP-DB018235)	1	-	-
Washer M8 $\varnothing$ 16	1	-	-
Steering limiters (MP-STLL02)	2	-	-
-	-	-	-
-	-	-	-
-	-	-	-
-	-	-	-

ALL IDEAS, DESIGNS ARRANGEMENTS AND PLANS INDICATED OR REPRESENTED BY THIS DRAWING ARE OWNED BY HYPERPRO AND WERE CREATED, EVOLVED AND DEVELOPED FOR USE ON AND IN CONNECTION WITH THE SPECIFIC PROJECT. NONE SUCH IDEAS, DESIGNS, ARRANGEMENTS OR PLANS SHALL BE USED BY OR DISCLOSED TO ANY PERSON, FIRM OR CORPORATION FOR ANY PURPOSE WHATSOEVER WITHOUT THE WRITTEN PERMISSION OF HYPERPRO.

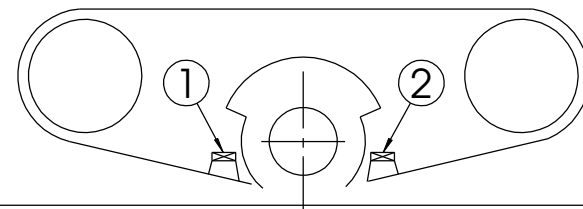
**remove the original steering damper**



riding direction ←



**Install the steering stop limiters**



* TORQUES	
A: 5-9Nm / 44-80Lbs.In / 4.0-6.4Lbs.Ft	D: 8Nm / 70Lbs.In / 5.9Lbs.Ft
B: 14-17Nm / 124-150Lbs.In / 10.3-12.5Lbs.Ft	E: 55Nm / 486Lbs.In / 40Lbs.Ft
C: 6Nm / 53Lbs.In / 4.4Lbs.Ft	F: Factory torque (see owners manual)

# HYPERPRO

## STEERING DAMPER MOUNTING KIT for

### BMW R1200 R 2015

#### MK-BM12-0006 INSTALLATION INSTRUCTIONS

##### **In general:**

HYPERPRO can not be held responsible in any way for any form of physical, material, financial or other damage arising from use, assembly or overhaul of HYPERPRO products. HYPERPRO reserves the right to make changes without prior notice.

This product is ONLY TO BE INSTALLED BY A PROFESSIONAL MECHANIC.

This product is only to be used for the motorcycle brand, model and year stated specifically on top of the pages of this manual.

DO NOT attempt to install this product on motorcycles from any different brand, model and/or year than stated on the pages of this manual.

DO NOT use this kit for cars, boats, jet-skies, snowmobiles, ATV's, aircraft, hovercrafts or any other vehicle and/or purpose.

HYPERPRO steering dampers are FOR RACE USE ONLY, NOT FOR HIGHWAY USE!

##### **Before installation:**

- Please read the entire manual carefully before starting the installation!
- Check if you have all the tools required. Good tools are a must.
- Protect your bike at the most important places in and around the work area (e.g. tank, fairing, frame, etc.), with a blanket, towel or similar.

##### **During installation:**

- Check all operations and parts carefully before, during and after performing each step.
- Clean all surfaces that are required for fitting parts together or for applying self adhesives or loctite, thoroughly with contact cleaner or another degreaser, unless otherwise stated.
- Be careful not to damage or scratch any part of your bike.
- ALWAYS work relaxed and concentrated!! It is very easy to damage something or make a mistake.

##### **After installation:**

- Check and make sure that there is no contact between any part of the steering damper kit and any part of the motorcycle. The kit should not hit anything. Steering movement should not be limited by the steering damper. If the steering movement is limited, adjust the position of the tube in the clamp until steering movement is normal again. Do not forget to tighten the clamp bolt again!
- ALWAYS check the steering movement and feeling before each ride !
- FIRST RIDES: Start with the damper turned fully open (turn adjuster knob fully counter clockwise). Start adjusting in between rides with steps of MAX. 2 CLICKS (0.25 TURN) EACH TIME, until the damper is working satisfactory for your riding style.
- NEVER USE MAXIMUM SETTING, ALWAYS OPEN AT LEAST 2 CLICKS (0.25 TURN).
- WARNING ! DAMPER HAS AN ACTIVE / SPEEDSENSITIVE DAMPING SYSTEM;
  - Steering with NORMAL MOVEMENT should be FREE !!
  - Steering with FAST MOVEMENT should be CONTROLLED BY DAMPER !!
- HYPERPRO uses a special seal to reduce friction. The seal uses an oil film to work properly. It is normal that some oil can appear on the pistonrod.
- Damper works with oil: DAMPING CAN BE HARDER AT LOWER TEMPERATURES!

##### **Step 1: remove the original steering damper**

Remove the original steering damper from the bike.

##### **Step 2: assemble the damper and clamp**

Assemble the damper using:

- Steering damper S75 (1)
- Damper Clamp (2)

Put the assembly together as shown on page 1: Shove the clamp (2) correctly over the damper tube until the distance of 20mm (see page 1) is reached, set the damper body at the correct angle and tighten the clamp bolt (2a) with a torque of approx. 6Nm/53Lbs.In/4.4Lbs.Ft.

##### **Step 3: install the steering damper**

Mount the damper to the original position and install using the original bolts and spacers, adding the supplied washer (3) under the damper clamp. Apply some loctite where necessary and tighten the bolts to factory torque.

Check if the damper does not touch anything when steering from left to right. Check if the bike can make it's full steering angle from left to right.

##### **Step 4: install the steering lock limiters**

Install the lock limiters using:

- Rubber steering lock limiters (self-adhesive)

Clean and degrease the left and right steering lock surfaces on the bottom of the steering head (see illustration). Stick the bumprubbers on the cleaned surfaces, so that the max steering angle will be limited by a few millimeters.

